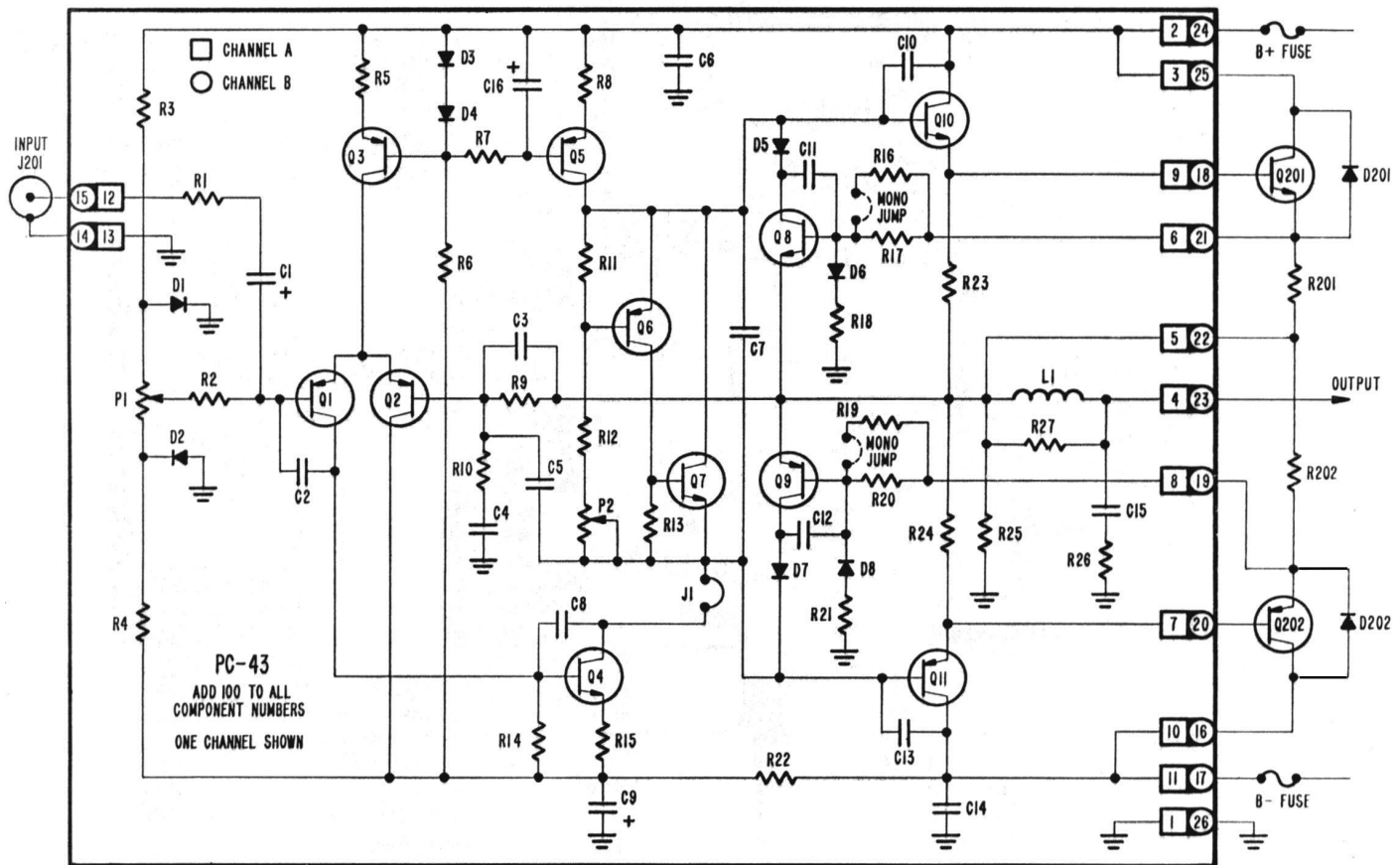
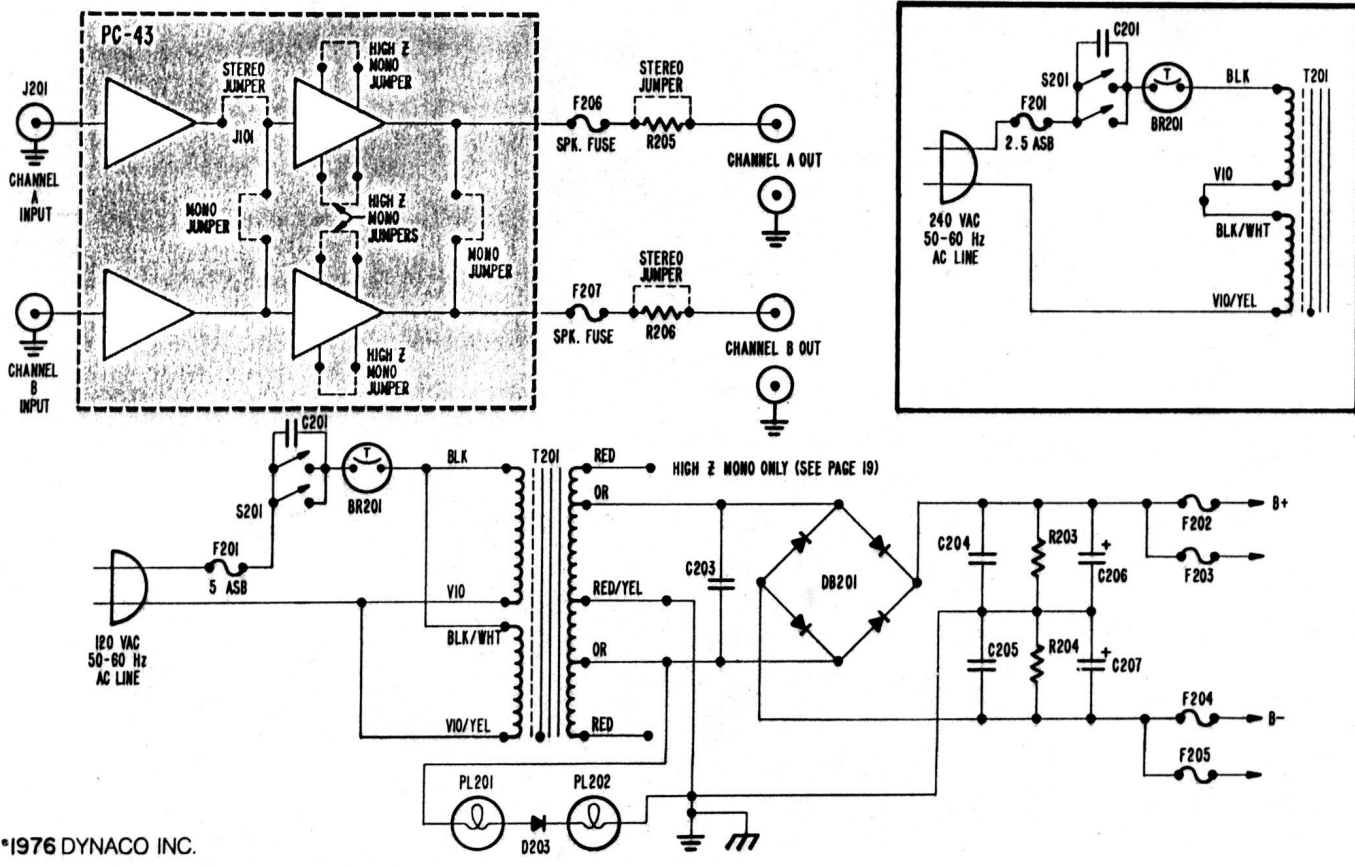


SCHEMATIC DIAGRAM





©1976 DYNACO INC.

COMPONENT VALUES

All resistors are 1/4 w., 5% unless otherwise indicated.

	PART #		PART #		
R101	1,000 ohms	119102	D101	Silicon diode, 1N4148	543148
R102	47,000 ohms	119473	D102	Silicon diode, 1N4148	543148
R103	33,000 ohms	119333	D103	Silicon diode, 1N4148	543148
R104	33,000 ohms	119333	D104	Silicon diode, 1N4148	543148
R105	220 ohms	119221	D105	Silicon diode, 1N4148	543148
R106	100,000 ohms	119104	D106	Silicon diode, 1N4148	543148
R107	1,000 ohms	119102	D107	Silicon diode, 1N4148	543148
R108	100 ohms	119101	D108	Silicon diode, 1N4148	543148
R109	24,000 ohms	119243	D201	Silicon diode, 1 a., 200 PRV	544012
R110	1,000 ohms	119102	D202	Silicon diode, 1 a., 200 PRV	544012
R111	1,000 ohms	119102	D203	Silicon diode, 1 a., 200 PRV	544012
R112	2,200 ohms	119222	DB201	Silicon bridge rectifier, 25 a., 200 PRV	544504
R113	1,000 ohms	119102			
R114	560 ohms	119561	BR201	Thermal Breaker, 15 a., 75° C	342011
R115	4.7 ohms	119047			
R116	560 ohms	119561	F201	Fuse, 5 ampere, slo-blo, 3AG	342050
R117	560 ohms	119561	F201	Fuse, 2.5 ampere, slo-blo, 3AG(240 v. alt.)	342026
R118	7,500 ohms	119752	F202	Fuse, 4 ampere, 3AG	342004
R119	560 ohms	119561	F203	Fuse, 4 ampere, 3AG	342004
R120	560 ohms	119561	F204	Fuse, 4 ampere, 3AG	342004
R121	7,500 ohms	119752	F205	Fuse, 4 ampere, 3AG	342004
R122	100 ohms	119101	F206	Fuse, 3 ampere, 3AG	342003
R123	47 ohms	119470	F207	Fuse, 3 ampere, 3AG	342003
R124	47 ohms	119470			
R125	1,200 ohms, 2 w., 10%	118122	C101	4.7 μ f, 15 v. tantalum	282505
R126	10 ohms, 2 w., 10%	110100	C102	150 pf, 500 v., 10% disc	238151
R127	Included with L101		C103	56 pf, 500 v., 10% disc	234560
R201	0.33 ohms, 5 w., 5%	120033	C104	50 μ f, 25 v. electrolytic	282500
R202	0.33 ohms, 5 w., 5%	120033	C105	10 pf, 500 v., 10% disc	234100
R203	10,000 ohms, 1 w., 10%	115103	C106	0.1 μ f, 100 v., 20% disc	224104
R204	10,000 ohms, 1 w., 10%	115103	C107	0.1 μ f, 100 v., 20% disc	224104
R205	0.27 ohms, 5 w., 5%	120027	C108	82 pf, 500 v., 10% disc	224820
R206	0.27 ohms, 5 w., 5%	120027	C109	50 μ f, 75 v. electrolytic	284500
			C110	150 pf, 500 v., 10% disc	238151
L101	Audio choke wound on 1 ohm, 5 w., 5%	453002	C111	0.01 μ f, 100 v., 20% disc	234103
			C112	0.01 μ f, 100 v., 20% disc	234103
P101	5,000 ohms trimpot	190502	C113	150 pf, 500 v., 10% disc	238151
P102	1,000 ohms trimpot	190103	C114	0.1 μ f, 100 v., 20% disc	224104
			C115	0.1 μ f, 100 v., 20% disc	224104
Q101	PNP transistor, 2N4889	562889	C116	50 μ f, 6 v. electrolytic	281476
Q102	PNP transistor, 2N4889	562889	C201	0.02 μ f, 500 v., 20% disc	227203
Q103	PNP transistor, 2N4889	562889	C202	0.02 μ f, 500 v., 20% disc	227203
Q104	NPN transistor, BF257	572100	C203	0.02 μ f, 500 v., 20% disc	227203
Q105	PNP transistor, 2N4889	562889	C204	0.1 μ f, 100 v., 20% disc	224104
Q106	PNP transistor, BC308B	567070	C205	0.1 μ f, 100 v., 20% disc	224104
Q107	NPN transistor, SE6020	577021	C206	10,000 μ f, 80 v. electrolytic	284109
Q108	NPN transistor, MPSA20, BC237A	577020	C207	10,000 μ f, 80 v. electrolytic	284109
Q109	PNP transistor, BC308B	567070	PL201	Lamp, #53	526053
Q110	NPN transistor, TIP31C (Select)	577131	PL202	Lamp, #53	526053
Q111	PNP transistor, TIP32C (Select)	567132			
Q201	NPN transistor, 2N5630	571105	S201	Switch, power	334021
Q202	PNP transistor, 2N6030	561357	T201	Transformer, power	464090